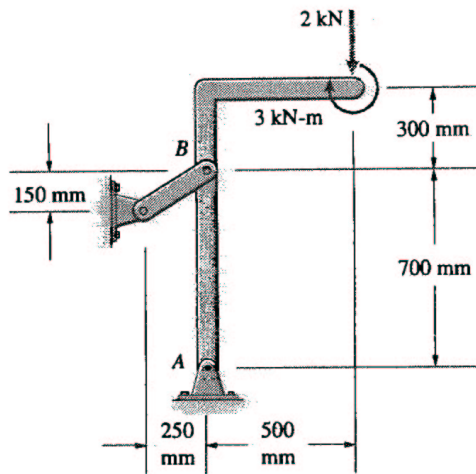


Statics ECE210 Exam 2
Pacheco

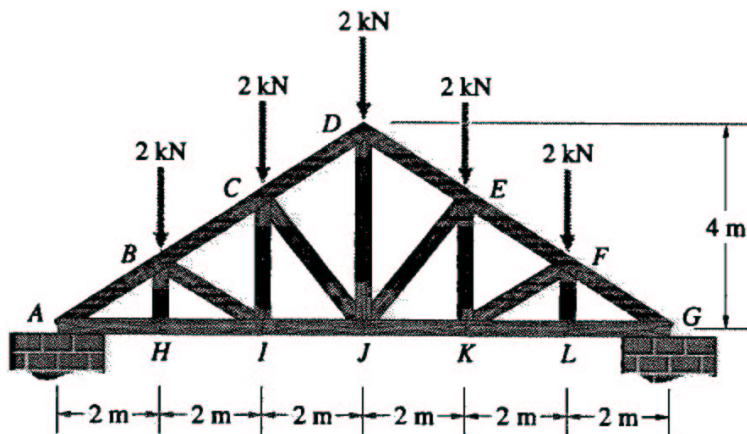
Name: _____ # Student ID: _____

Midterm exam No. 2: It is **not** permitted to discuss the content of this exam with others. All your work must be shown; be neat and mark your answers. (10/4 points each problem).

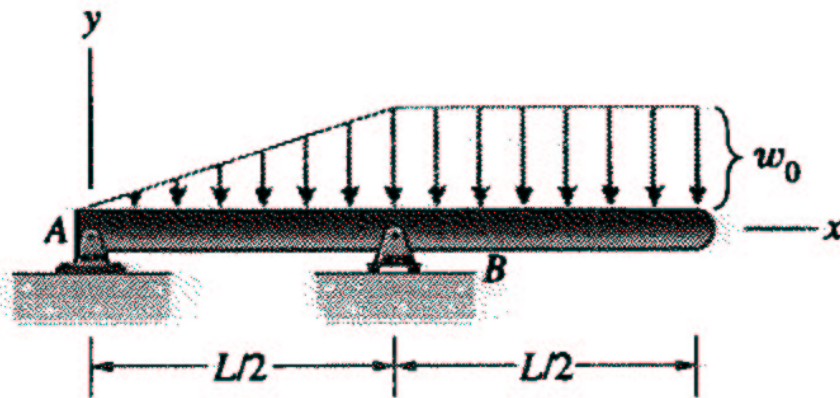
1. (a) Is the *L*-shaped bar a three-force member?
 (b) Determine the magnitudes of the reactions at *A* and *B*.
 (c) Are the three forces acting on the *L*-shaped bar concurrent?



2. The Howe truss helps support a roof. Model the supports at *A* and *G* as roller supports.
 (a) Use the method of joints to determine the axial force in member *BI*.
 (b) Use the method of section to determine the axial force in member *BI*.



3. Determine the reactions at A and B .



4. Attach to this exam the take-home problems for centroids discussed in class.